

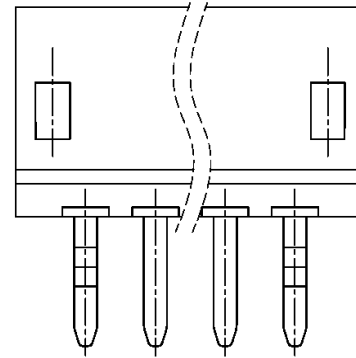
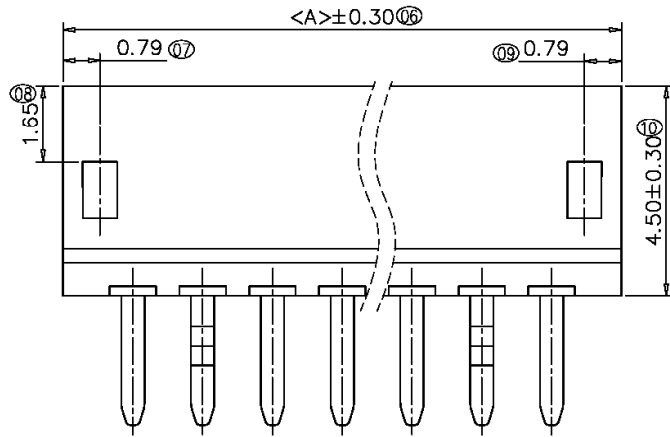
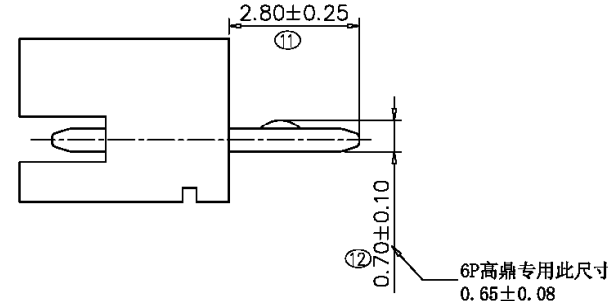
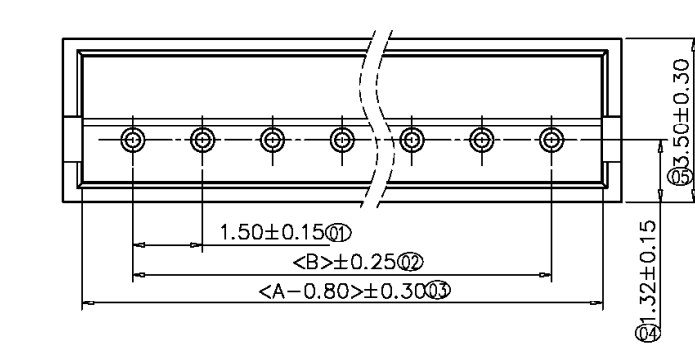
CUSTOMER COPY

REV.	DESCRIPTION	APP.	DATE
A	NEW DESIGN	Amos	2010-03-24

ORDER INFORMATION

1206 5 0 0 XX X

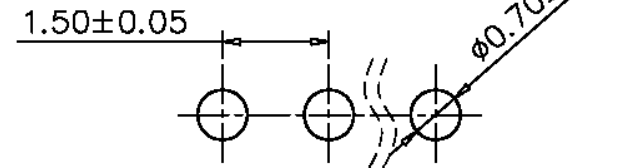
- 1:Plating Tin
- No. of Contact
- 0:180° DIP
- 5:JST ZH Type



B TYPE (5~13Pin)

A TYPE (2~4Pin)

Recommended P.C.B Layout (Top Side)
P.C.B Thickness = 1.20mm
(Tolerance=±0.05)



PART NO.	Dimensions	
	A	B
02	4.50	1.50
03	6.00	3.00
04	7.50	4.50
05	9.00	6.00
06	10.50	7.50
07	12.00	9.00
08	13.50	10.50
09	15.00	12.00
10	16.50	13.50
11	18.00	15.00
12	19.50	16.50
13	21.00	18.00

NOTES:

- CURRENT RATING: 1A AC/DC.
- VOLTAGE RATING: 50V AC/DC.
- TEMPERATURE RANGE: -25°C~+85°C.
- CONTACT RESISTANCE: 20m Ω MAX.
- INSULATION RESISTANCE: 500M Ω MIN.
- WITHSTANDING VOLTAGE: 500V AC/MINUTE.

RoHS



鈺滿榮企業股份有限公司 ACMELUX CO., LTD.

TEL: 886-2-85124595 FAX: 886-2-85124322

0.0±0.30	SCALE: 1:1	TITLE: Pitch 1.5mm 180° JST ZH Type Wafer Connector	PART NO:
0.00±0.20	UNIT: mm	MATERIAL: RoHS	APP BY: Hung
0.000±0.1			CHK BY: Cheryl
DWG. NO. C1206500XXX		DR BY: Amos	A303